

VW1101M / VW2500M series wireless Module

**VitalWell Electronics Pte. Ltd.**

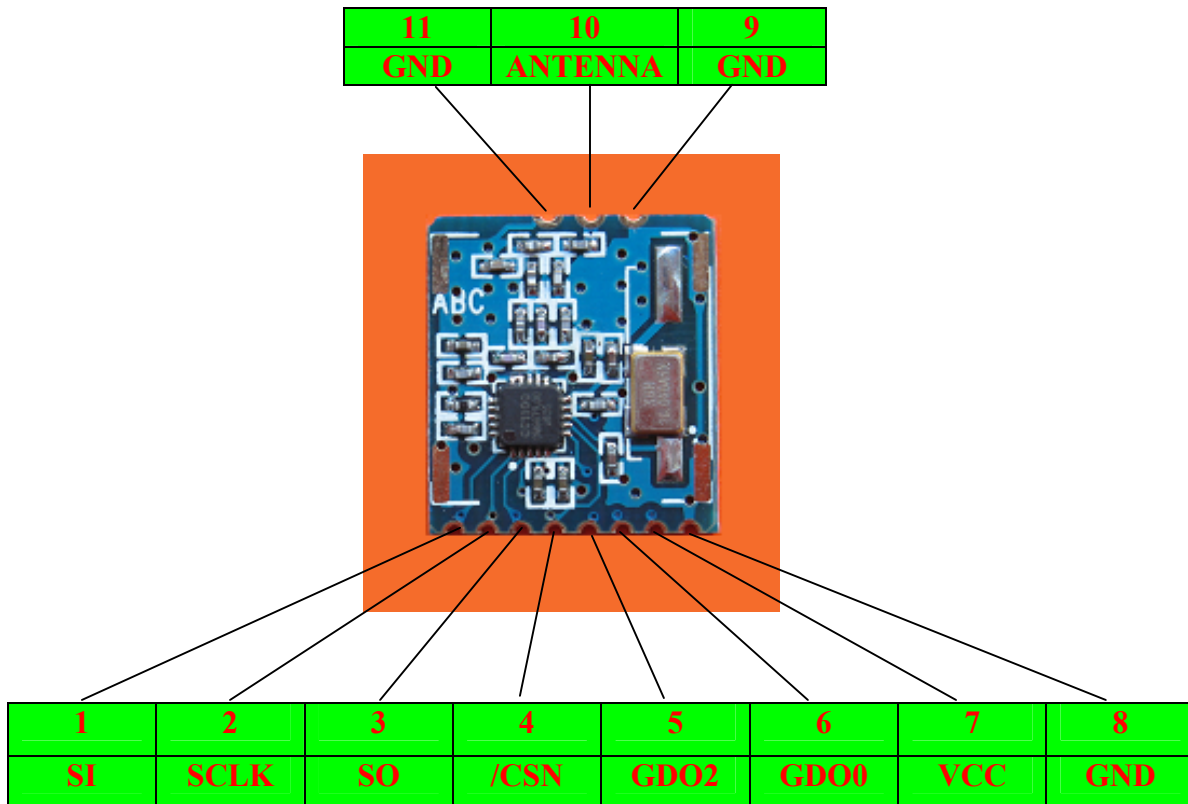


珠海元井电子有限公司  
珠海唐家南方软件园 D2-408/409  
中国珠海市  
电话: +86-0756-3867280

VitalWell Electronics Pte Ltd.  
Block D2, #408/409, Southern Software Park,  
TangJia, ZhuHai, China  
Tel: +86-0756-3867280

## Features

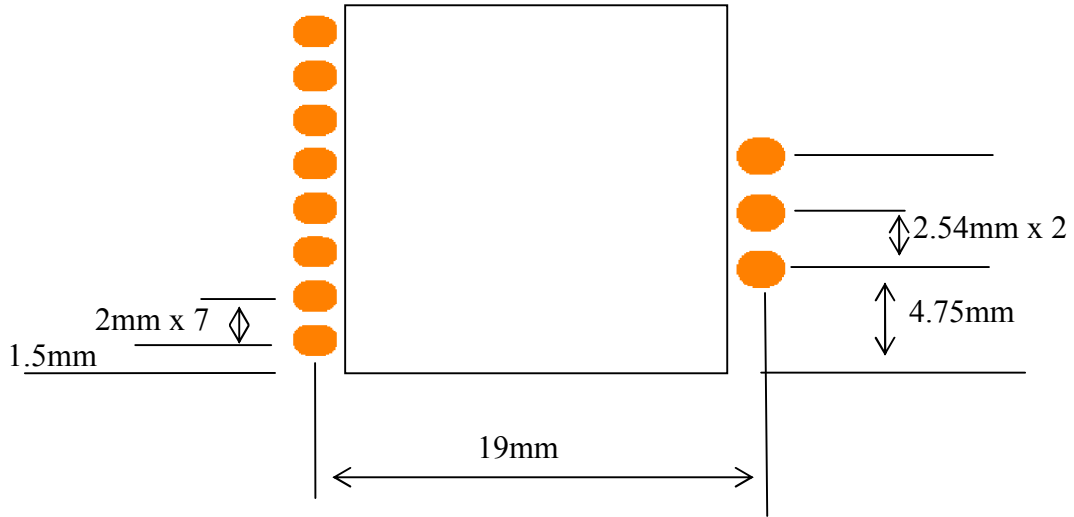
- Radio chip: Chipcon CC1100(VW1100M); CC1101 (VW1101M); CC2500(VW2500M)
  - Frequency Band: 433MHz/868MHz/915MHz /2.4GHz
  - Integrated FEC, high sensitivity.
  - Programmable data rate up to 500 kbps.
  - Separate 64-byte RX and TX data FIFOs.
  - Efficient SPI interface: All registers can be programmed with one “burst” transfer
  - Wake-on-radio functionality for automatic low-power RX polling
  - Many powerful digital features allow a high-performance RF system to be made using an inexpensive microcontroller
  - Integrated analog temperature sensor
  - Ideal for multi-channel operation
  - 2-FSK, GFSK, MSK and OOK supported
  - Small size: L x W x H = 19mm x 17mm x 3mm
- 
- Interface footprint : 2.0mm SMT solder pad or pin header
  - Same footprint for VW1100/1M & VW2500M, different system’s design can share the same PCB layout

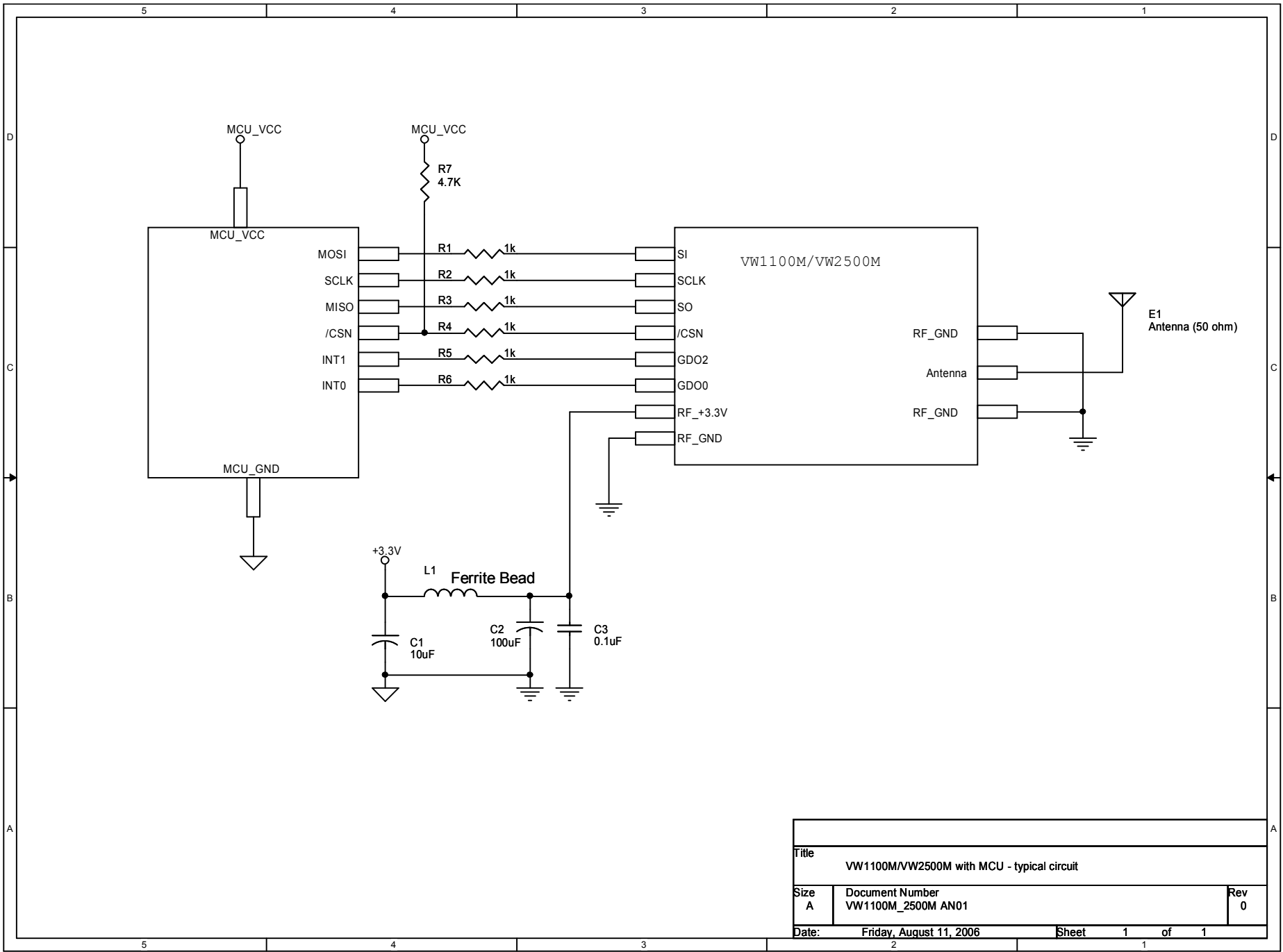


**Recommended PCB layout for package:**

Solder pads at the interface side (W x L) : 1.35mm x 1.85mm

Solder pads at the antenna side (W x L) : 1.6mm x 2mm





Title		
VW1100M/VW2500M with MCU - typical circuit		
Size	Document Number	Rev
A	VW1100M_2500M AN01	0
Date:	Friday, August 11, 2006	Sheet 1 of 1